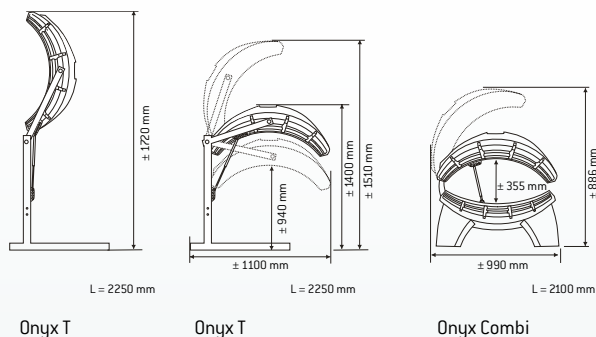


Hapro

HOME TANNING



ONYX

| Model | UV tubes | Facial tanner | Power | Digital-Timer | Operating hours | SRS* | Body cooler |
|-----------------|--|---------------|---------|---------------|-----------------|------|-------------|
| Onyx 14 T | 14 x 100 W L** | – | 1,70 kW | • | • | • | • |
| Onyx 14/5 T | 14 x 100 W L** | 5 x 25 W | 1,81 kW | • | • | • | • |
| Onyx 14/1 T | 10 x 100 W L** 4 x 80 W | 1 x 400 W | 1,98 kW | • | • | • | • |
| Onyx 26 Combi | 14 x 100 W L** 12 x 100 W | – | 2,82 kW | • | • | • | • |
| Onyx 26/5 Combi | 14 x 100 W L** 12 x 100 W | 5 x 25 W | 3,19 kW | • | • | • | • |
| Onyx 26/1 Combi | 10 x 100 W L** 4 x 80 W 12 x 100 W | 1 x 400 W | 3,24 kW | • | • | • | • |

T = Double fold-back stand, Combi = Tanning tunnel, SRS* = Strip Reflector System, • = As standard
 ** = Tubes 1,9 m, standard 100 W tube has a length of 1,78 m



Click strip system for easy cleaning of acrylic panels and tubes



The integrated Strip Reflector System (SRS) optimizes the efficiency of the lamp output